

CargoVisionTM

Part #77-S211



GENERAL DESCRIPTION

The Monarch Tracking CargoVision is designed to provide an uncompromised, on-demand view of the interior of a trailer in 1080P quality. Simple installation and connectivity to your existing Phillips Connect trailer gateway module provides the ability to pre-program image capture events based on motion, door open/closed (if equipped), time based or web-based image on-demand. Images are uploaded to the cloud for viewing through the Phillips Connect customer portal or automated API feed.

GENERAL SPECIFICATIONS

- Environmental Resistance: IP67
- Operational Temperature: -40C to 70C
- Solar Panel Max Power: 2.7W
- Battery Capacity: 5.3Ah
- Installation Time: ~15 minutes
- Connectivity: BLE 2.4 Ghz (to PCT Gateway module)
- Image Quality: 1080P
- Ideal Mounting Location: Top, Rear, Drivers Side of trailer approx. 48" from rear of trailer and 12" from roof
- Mounting Location Tolerance: +/-8" from roof, +/-24" from rear door
- Flash: High power dispersion lensed IR LED (x2)



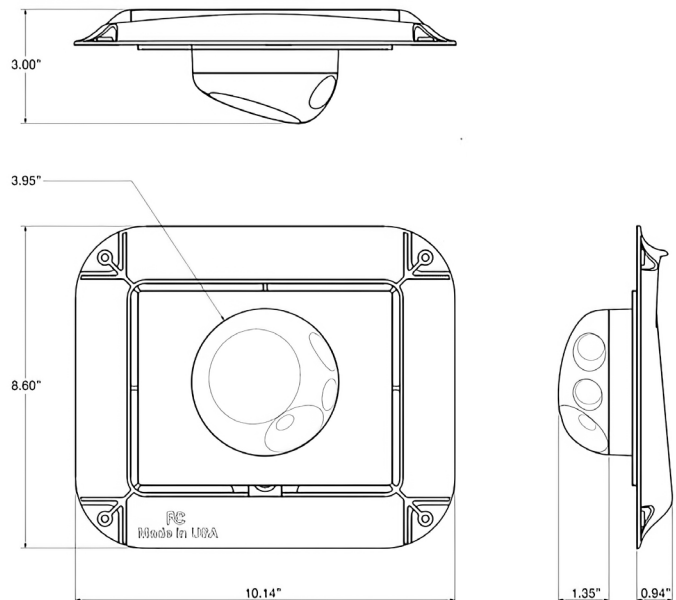
Mounting Surface



Interior View (Mounted)



PHYSICAL DIMENSIONS



956-489-3100
www.monarchtracking.com

